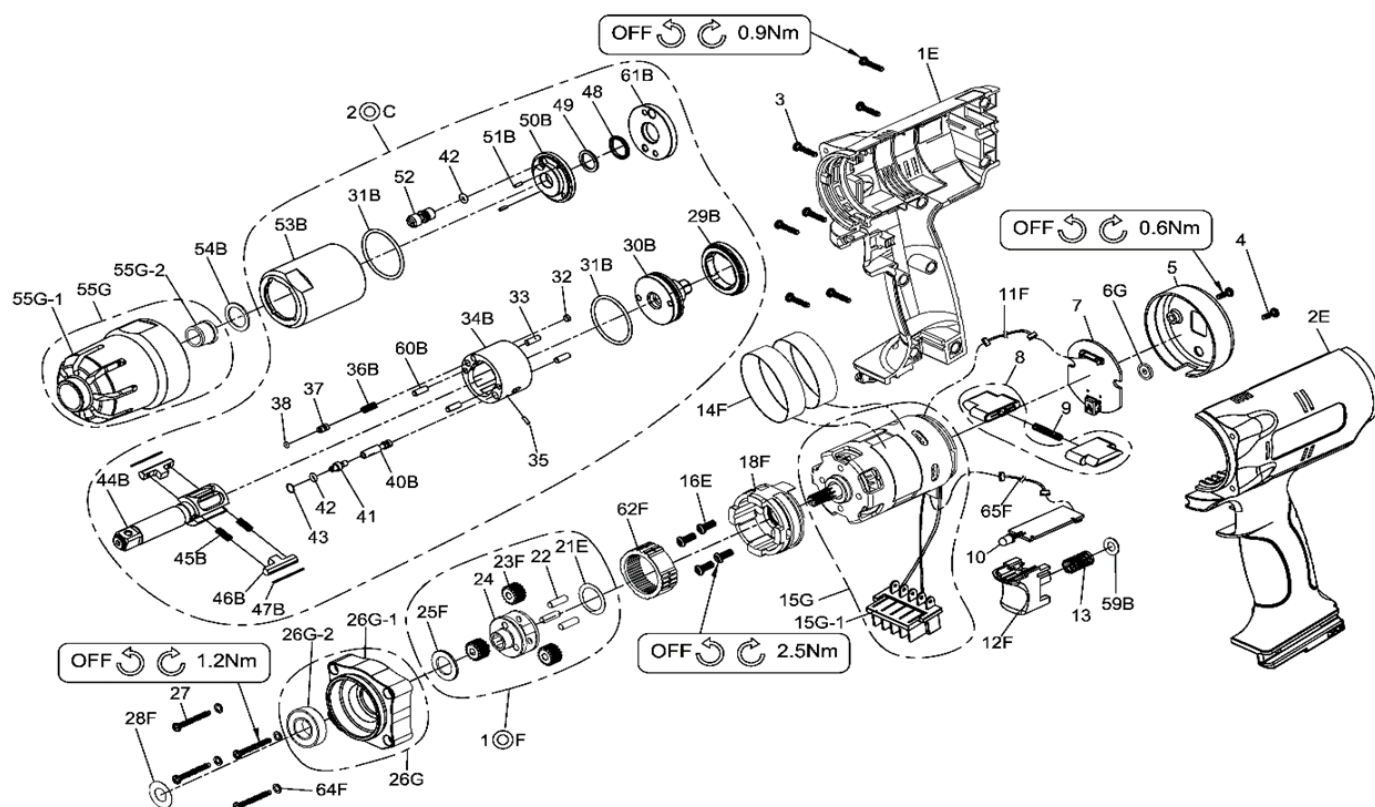


RRI-BIM35T CORDLESS SHUT OFF IMPULSE TOOL



Edition: G

Index No	Part No.	Description	Q'ty
1E	C01PW35-1#G2	Upper Housing	1
2E	C02PW35-1#G2	Lower Housing	1
3	000-0930	Screw (Ø3×14L)	7
4	000-0831	Screw (Ø3×8L)	2
5	C10PW15#W2	Cover	1
6G	C09PW15-3#W2	Button	1
7	E76PW15-1	LED Indicator Board	1
8	B09PW15-1#B1	F/R Valve (1set×2pcs)	1
9	D48PW15-1	Spring	1
10	E76PW15	PC Board	1
11F	B86PW	Connector Wire	1
12E	B09PW#B1	Trigger Assembly	1
13	D48PW15	Spring	1
14F	C39PW15-B	Ring	2
15G	B83PW35-1	Brushless Motor ;w/driver	1
	(1)C06180C#B1	Connector	1
16E	000-1341C	Screw	4
18F	B50PW15-1B	Gear Box Assembly	1
1⊙F	B51PW35-B	Gear Cage Assembly	1
21E	D39PW15-1B	Washer	1
22	000-3440	Pin	3
23	D49PW35-1	Planet Gear	3
24	D51PW35	Gear Cage	1
25F	D39PW15-B	Washer	1
26G	B52PW15#BW	Housing Cover Assembly	1
	(1)D52PW15#BW	Housing Cover	1
	(2)000-2338	Ball Bearing (6902-2RS)	1
27	000-0840	Screw (Ø4×25L)	4
28F	I405-423	Washer	1
2⊙E	B170-400ASM	Pulse unit	1
29B	I70-402	Lock Nut	1*
30B	I70-415	Rear Plate	1*

Index No	Part No.	Description	Q'ty
31B	00-41160	O-Ring	2*
32	I405-454	Block Cap	1*
33	00-3407	Pin	2*
34B	I70-404-B	Pulse Cylinder	1*
35	00-3436	Pin	1*
60B	00-3435	Pin	2*
36B	I705-453	Spring	2*
37	IS405-421	Pressure Valve	1*
38	00-41173	O-Ring	1*
40B	D55PW25	Valve	1*
41	I80-411	Valve Screw	1*
42	00-41113	O-Ring	2*
43	I80-422	Back Up Ring	1*
44B	I70-405-B	Anvil	1*
45B	I70-407	Spring	2*
46B	I70-406-B	Drive Blade	2*
47B	I70-452	Roller	2*
61B	I70-408	Front Plate	1*
48	00-2602	X-Ring	1*
49	I70-409	Back Up Ring	1*
50B	I70-403	Front Cover	1*
51B	00-3318	Spring Pin	2*
52	I70-410	Greasing Screw	1*
53B	I70-401	Pulse Cylinder Seat	1*
54B	I405-424	Washer	1
	B41PW35#BW	Front Cover Assembly	1
58G	(1)D41PW35#BW	Front Cover	1
	(2)I405-202	Bushing	1
59B	C39PW15-3	Washer	1
62F	D49PW35-2	Gear Ring	1
64F	000-1840	Spring Washer	4
65F	B86PW-2	Connector Wire	1