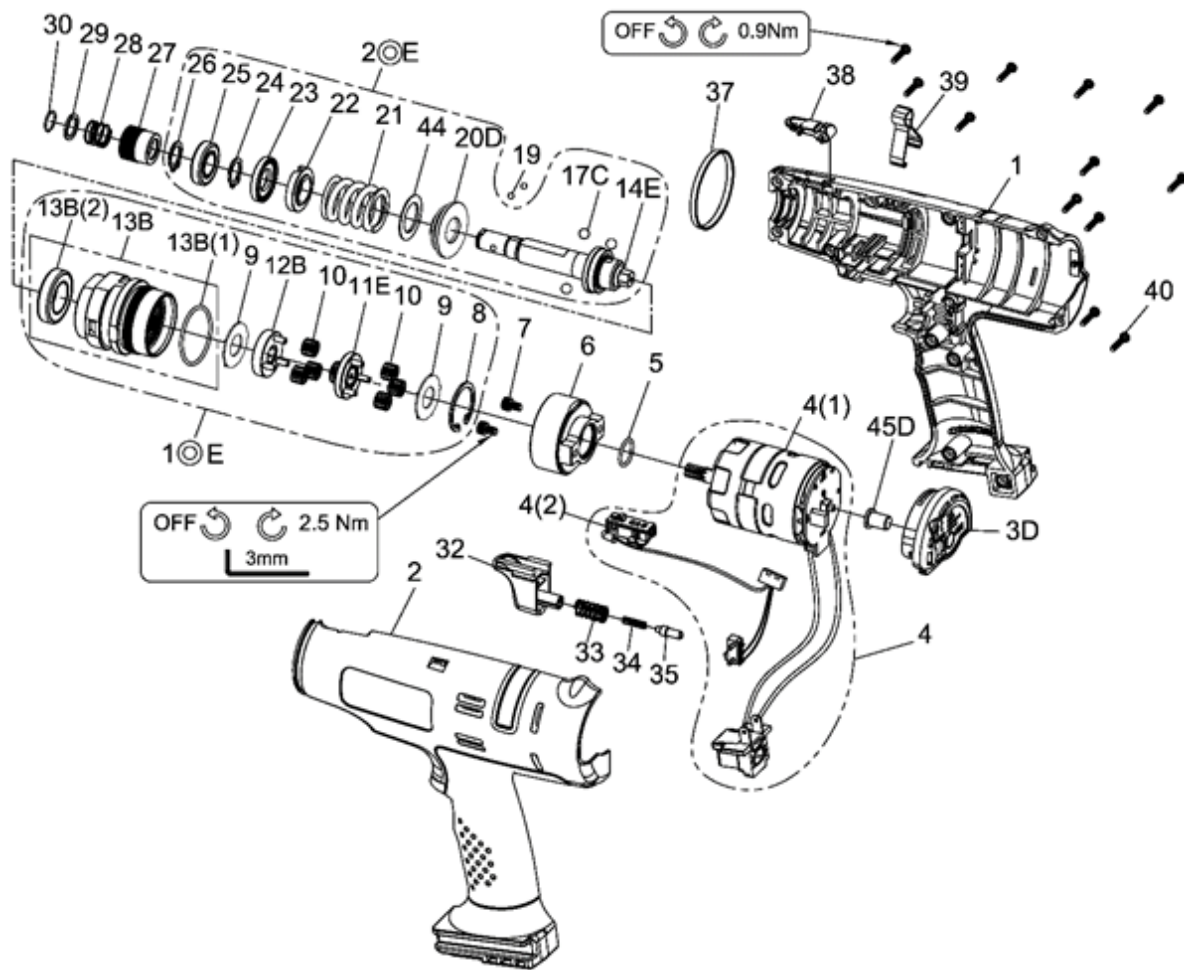


# RRI-BS3 CORDLESS SHUT OFF SCREWDRIVER



Edition E

Index No.	Part No.	Description	Q'ty
1	C01SC180B#G2	Upper Housing	1
2	C02SC180B#G2	Lower Housing	1
3D	B10SCB-3#W2	Cover	1
4	B83SC180B3-1B	DC Brushless Motor Assembly	1
	B83SC180B3-B	(1) Brushless Motor	1*
	B75SC180B-1B	(2) Sensor Assembly	1*
5	000-4110	O-Ring (Ø16×Ø1.5)	1
6	D51SC108B	Motor Holder	1
7	000-0243	Screw(M4×6L)	2
1⊙E	B50SC180B3-2	Gear Box Units	1
8	000-3126I	Inverted Retaining Ring (IRTW26)	1
9	D39SC180B-4	Washer	2
10	D49SC180B-2	Planet Gear	6
11E	B51SC180B3-B	Gear Cage Assembly	1
12B	B51SC180B-7	Gear Plate Assembly	1
13B	B50SC180B-1	Gear Box Assembly	1
	000-4117	(1) O-Ring(Ø24×Ø1.5)	1*
	000-2344	(2) Ball Bearing (6903)	1
2⊙E	B43SC180B3-B	Clutch Units	1
14E	B29SC180B-1	Clutch Assembly	1
17C	000-3854	Steel Ball (Ø7/32")	3
20D	D39SC180B-5	Washer	1

Index No.	Part No.	Description	Q'ty
44	D39SC180B-3	Washer	1
21	D48SC108B-2	Spring (Red)	1
22	D39SC108B-2	Adjust Washer	1
23	D54SC108B	Adjust Nut	1
24	000-3012	Snap Ring (STW-12)	1
25	000-2305	Ball Bearing (6901)	1
26	000-3011	Snap Ring (STW-11)	1
19	000-3833	Steel Ball (Ø3)	2
27	D42ID144A	Quick Change Holder	1
28	D48ID144A	Spring	1
29	D39ID144A	Hold Spacer	1
30	D44ID144A	Anvil Collar	1
32	C09SC180B#B1	Trigger	1
33	D48SC180B	Spring	1
34	D48SC180B-1	Spring	1
35	B55SC180B#B1	Pin Assembly	1
37	000-4121R	Marking Ring (Ø37×3t.Red)	1
38	C10SC108B-2#B1	Cover	1
39	D39SC180B-1	Suspension Bail	1
40	000-0930	Screw (Ø3×14L)	12
45D	C09SCB#B1	Button	1