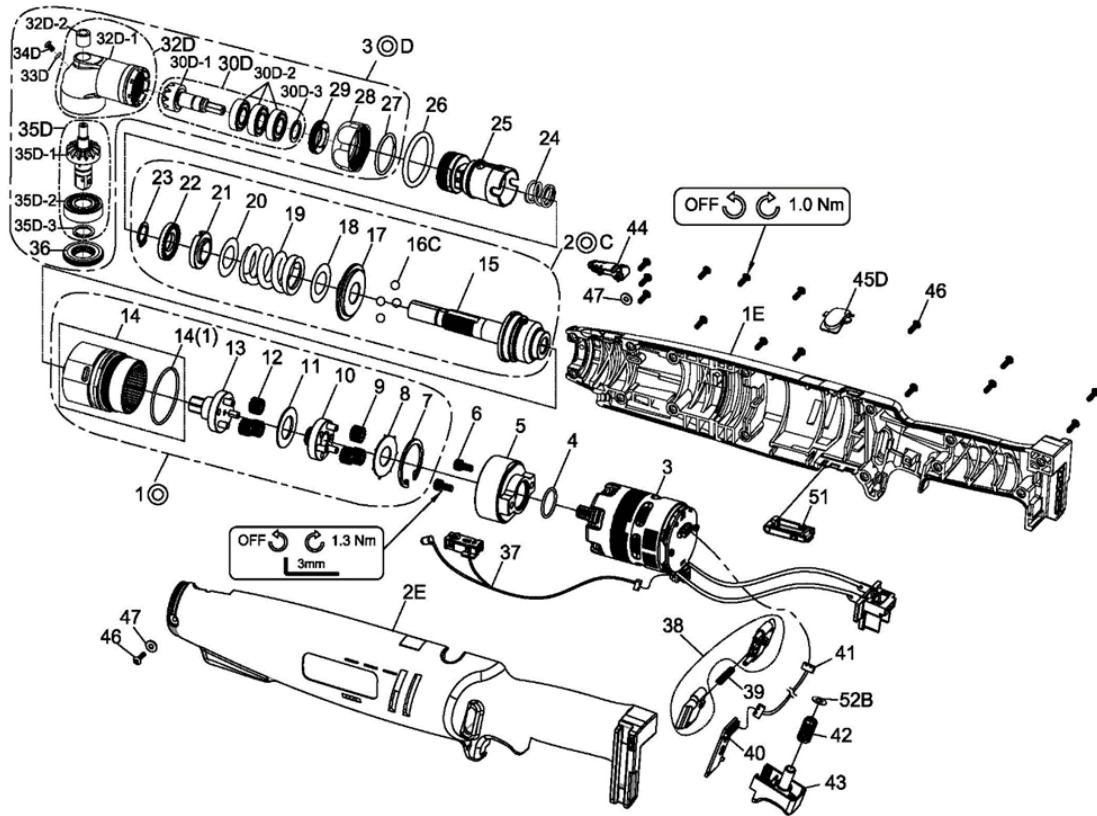


# RRI-BA30S3 CORDLESS ANGLE WRENCH



Edition E

Index No	Part No.	Description	Q'ty	Index No	Part No.	Description	Q'ty
1E	32001-WRCA(L)	Upper Housing	1	3⊙D	32042-WRCA-S3-01	Angle Housing Units	1
2E	32002-WRCA(L)	Lower Housing	1	27	D44WR108B	Collar	1
3	B83WRB30	Brushless Motor Assembly ;w/driver	1	28	D54WR108B#BZ	Lock Nut	1
4	000-4110	O-Ring (Ø16×Ø1.5)	1	29	D54WR108B-1B	Lock Nut	1
5	D51SC108B	Motor Holder	1	30D	32049-WRBA-01	Main Bevel Gear Assembly	1
6	000-0242	Screw (M4×8L)	2		(1)33249-WRBA-13	Main Bevel Gear	1
1⊙	B50WRB35	Gear Box Units	1		(2)0-201023	Ball Bearing 96900ZZ)	3
7	000-3128	Snap ring (RTW-28)	1		(3)0-331002	Inverted Retaining Ring <sub>(STW-10)</sub>	1
8	D39WR	Washer	1	32D	32042-WRCA-03	Angle Housing Assembly	1
9	D49WR-7	Planet Gear	6	(1)33242-WRCA-02	Angle Housing	1	
10	B51WR-10	Gear Cage Assembly	1	(2)0-211005	Needle Bearing (BK0609)	1	
11	D39WR-8	Washer	1	33D	0-451019	O-Ring (Ø2×Ø1,5)	1
12	B49WR-11	Planet Gear	1	34D	0-121002	Screw (M3×5L)	1
13	B51WR-8	Gear Plate Assembly	1	35D	32049-WRBA-S3-01	Bevel Gear Assembly	1
14	B50WR	Gear Box Assembly	1		(1)32049-WRBA-S3-02	Bevel Bear	1
(1)000-4118	(1) O-Ring (Ø28×Ø1.5)	1*			(2)0-201033-1	Ball Bearing (6001-2RSH)	1
2⊙C	B43WRB30	Clutch Units	1		(3)0-331003	Inverted Retaining Ring <sub>(STW-12)</sub>	1
15	B29WR	Clutch Assembly	1	36	D54WR108B-2B	Lock Nut	1
16C	000-3854	Steel Ball (Ø7/32")	4	37	B75WR	Sensor & LED Assembly	1
17	D39WR-1	Washer	1	38	B09PW15-1#B1	F/R Valve (1set x 2pcs)	1
18	D39WR-7	Washer	1	39	D48PW15-1	Spring	1
19	D48WR-4	Spring (Red)	1	40	E76WR	PC Board	1
20	D39WR-5	Washer (White)	1	41	E86SC	Connector Wire	1
21	D39SC108B-2	Adjust Washer	1	42	D48PW15	Spring	1
22	D54WR	Adjust Nut	1	43	B09PW15#B1	Trigger Assembly	1
23	000-30212I	Snap Ring (ISTW-12)	1	44	C10SC108B-2#B1	Cover	1
24	D48WR	Spring	1	45D	33110-WRBA-02	Cover	1
25	B51WR	Connecting Holder Assembly	1	46	000-1430C	Screw (M3xP0,5 x10L)	1
26	000-4120B	Marking Ring (P32, Blue)	1	47	000-1531B	Washer (Ø3,3×Ø8)	16
				51	C10WRB#B1	Cover	2
				52B	C39PW15-3	Washer	1